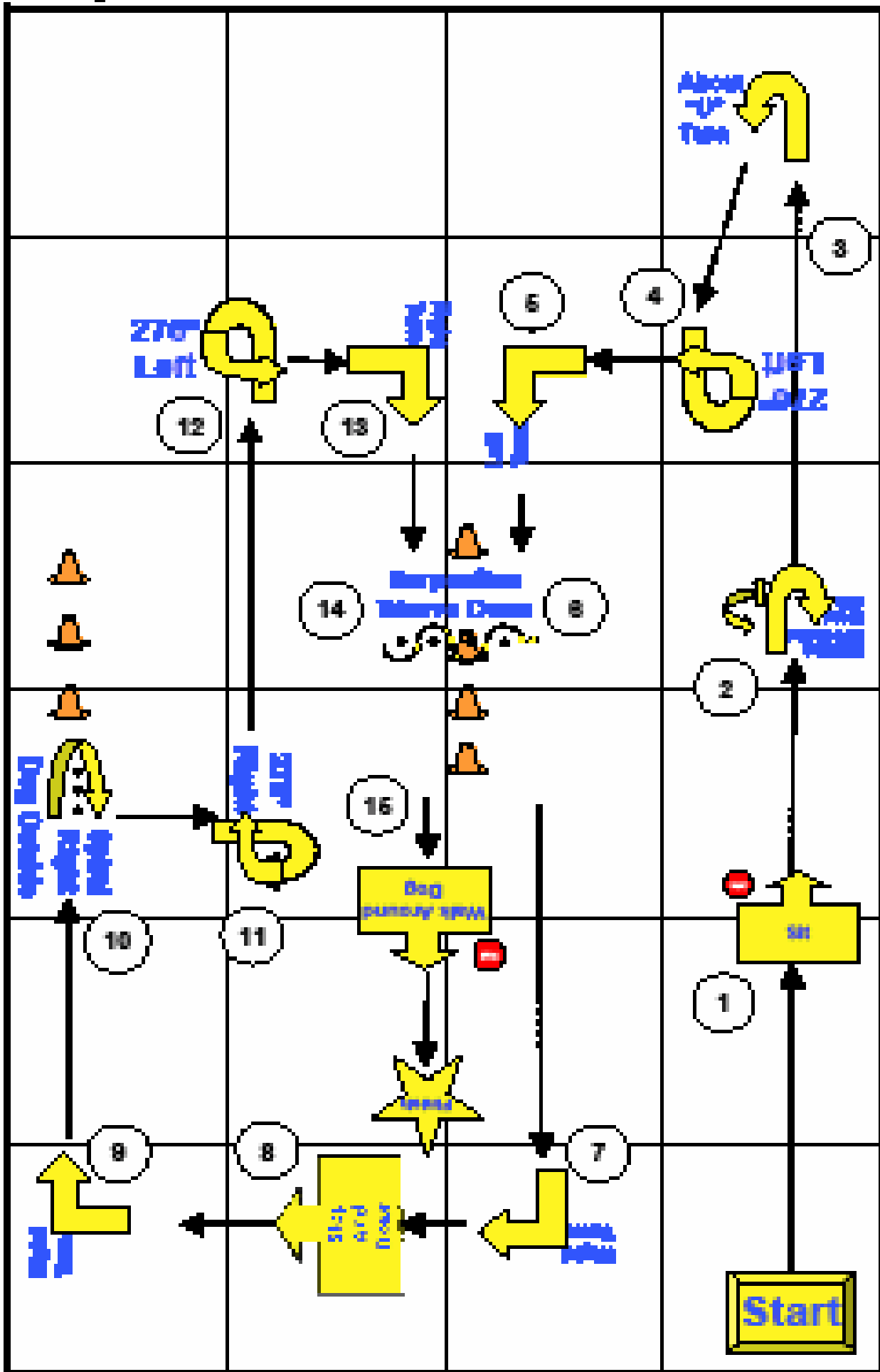


50' by 80'



DATE:	June, 2009
EVENT:	NZARO Trial – Avalon
LOCATION:	NZKC, Porirua
LEVEL:	Novice
JUDGE:	Karen de Wit

STATION	SIGN NUM	SIGN
	1	Start
1	3	Halt – Sit
2	14	Call Front – Finish Left Forward
3	8	About “U” Turn
4	10	270 Left Turn
5	6	Left Turn
6	24	Serpentine Weave Once
7	5	Right Turn
8	27	Stop and Down
9	5	Right Turn
10	21	Spiral Right – Dog Outside
11	9	270 Right Turn
12	10	270 Left Turn
13	5	Right Turn
14	23	Straight Figure 8 Weave Twice
15	30	Halt – Walk Around Dog
	2	Finish